

VANDAELE®



TV20-26 WOOD CHIPPER

VANDAELE®

TV20-26 WOOD CHIPPER



Standard tractor driven 3-point version.



Diesel engine driven unit on high speed trailer.

Large middle-sized model for real professional users. For chipping of twigs, branches & stems of any type of wood with maximum diameter of 200mm / 8". Different models / versions available.

The TV20-26 is unique in its kind because :

- SIMPLE MAINTENANCE
- NO SHARPENING OF THE KNIVES REQUIRED!
- MEETS ALL **CE** SAFETY REGULATIONS
- OPTIMUM SAFETY
- SAFETY BAR SURROUNDING THE INFEED FUNNEL
(VANDAELE® patent n° 2003/0590)

Features and benefits of the Vandaele wood chippers:

- Standard equipped with TUNGSTEN-CARBIDE knives and counter knives in sections.
- Sections are easily replaceable
- Renders sharpening and adjusting of the knives superfluous,
- Extreme long life span,
- Noise reduced knife disc, integrated in a wear resistant housing,
- Direct power linkages, no belts or chain drives,
- Robust construction, years of experience incorporated,
- Very big capacity.

Very aggressive infeed system due to two infeed rolls, each one equipped with its own hydraulic motor. The upper infeed roll has a studded pattern, offering strong and aggressive grip on the material.





Hydraulic driven version for tool carriers.



TV20-26 P ; Tractor driven, on a low speed trailer (optional).

Technical specifications:

TV20-26 ;

Basic machine:

- Knife disc ø 800 mm, equipped with 2 knives in CARBIDED TUNGSTEN,
- Counter knife in CARBIDE TUNGSTEN,
- 2 hydraulically driven infeed rolls with built in pump group, with stop and reverse coupling and chip size regulation from 1 to 25 mm,
- High ejector chute with adjustable flap: 2.5 m high, 300° revolving (EN 13525), on ball bearing,
- Round wood diameter max: 200 mm / 8",
- Infeed opening between the rolls: 260 mm x 200 mm / 10" x 8",
- Noise reducing coating,
- Centralised greasing of the lower infeed roll.

TV20-26 P ;

tractor driven:

Standard:

- PTO driven: 1000 RPM
- 3 point linkage cat I or II
- Equipped with PTO-shaft with freewheel
- Minimum required tractor HP = 50.

Optional:

- 540 RPM reduction gearbox,
- Antistress-system **CLASSIC**,
- Antistress-system **ADVANCED**,
- 3-point machine on turn table 270°,
- 3-point machine 2x90° turn able,
- Hydraulic powered versions,
- Wheeled undercarriage, slow speed,
- Transparent flaps in the funnel for additional safety.

TV20-26 D ;

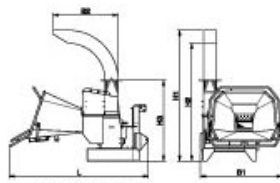
diesel engine driven:

Standard:

- Incorporated diesel engine HATZ SILENT PACK, 3L41C, 3 cil. silenced, 38.6 kW, 52 HP, with automatic fluid-coupling and reduction gear box, direct transmission of the chipper disc by means of flexible coupling (no belts),
- Battery 12 Volt, battery-key, hour meter, fuel gauge, dashboard in closed box,
- Machine mounted on high speed trailer, double axle, height adjustable drawbar with DIN eye ø40 or ball hitch, mud guards and lights,
- Machine revolving over 360°,
- Anti-stress system Classic.

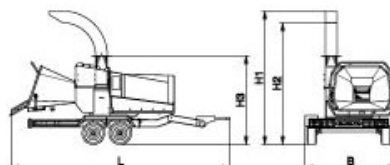
Optional:

- Extra noise reduction kit,
- Foldable ejector chute with support,
- Manual winch to lower the ejector chute,
- Antistress system **ADVANCED**,
- Other RAL colour instead of RAL 2011 & 7011,
- Transparent flaps in the funnel for additional safety.



B1: 1400mm
B2: 1300mm
H1: 2480mm
H2: 2290mm
H3: 1910mm
L : 2300mm

780kg



B : 1950mm
H1: 2850mm
H2: 2650mm
H3: 2120mm
L : 4740mm

1750kg



TV20-26 D ; Diesel engine version, standard mounted on a 360° turn able double axle trailer;



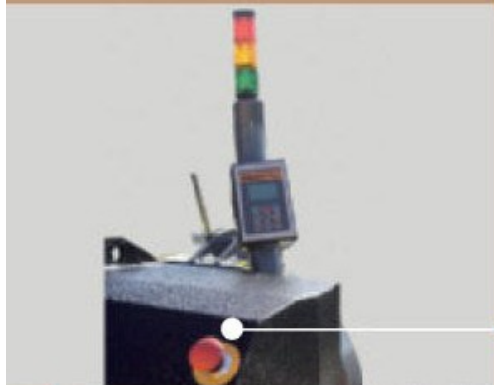
TV20-26 P ; Tractor driven 2 x 90° turn able (optional).



TV20-26 P ; Tractor driven 270° turn able (optional).



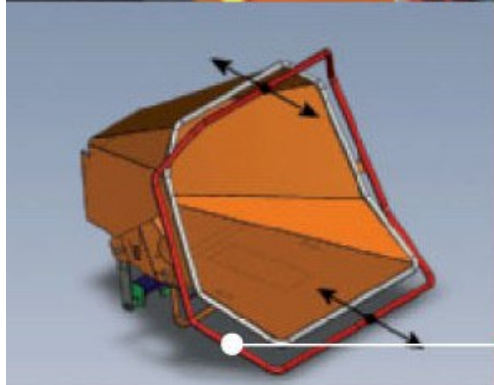
High quality, combined with high productivity and output.



Antistress-system "Advanced" (optional).



Electronic top cover protection – extra safety (optional).



Optimum operator safety system: safety bar wrapped around the entire infeed funnel (VANDAELE® patent)



The Vandaele® products have been developed and produced in accordance with the ISO 9001 : 2000 quality management system.